

 Dirty water

 Domestic use

※ TOP-VORTEX

**Drainage pumps:
reliable and durable**



PERFORMANCE RANGE

- Flow rate up to **170 l/min** (10.2 m³/h)
- Head up to **8.7 m**

INSTALLATION AND USE

TOP-VORTEX pumps are suitable for draining clear water without abrasive particles that will not damage the pump's components. Construction features ensure user-friendly and safe operation, including motor cooling and a double shaft seal.

These pumps are particularly well-suited for domestic applications, including draining dirty water, emptying tanks, managing domestic drains, and clearing sumps, even in the presence of suspended solids of up to 25 mm in diameter.

APPLICATION LIMITS

- Maximum operating depth below water level up to **3 m** (with an appropriately sized power cable)
- Liquid temperature up to **+40 °C** and up to **+90 °C** for short bursts (up to 3 minutes max) for intermittent service
- Capable of processing suspended solids up to **Ø 25 mm**
- Draining capability up to **25 mm** from the bottom

INCLUDES

- ※ **5 m** power cable
- ※ Float switch

PATENTS - TRADE MARKS - MODELS

- Patent No. IT0001428923
- Registered Community Model No. 342159-0011

AVAILABLE UPON REQUEST

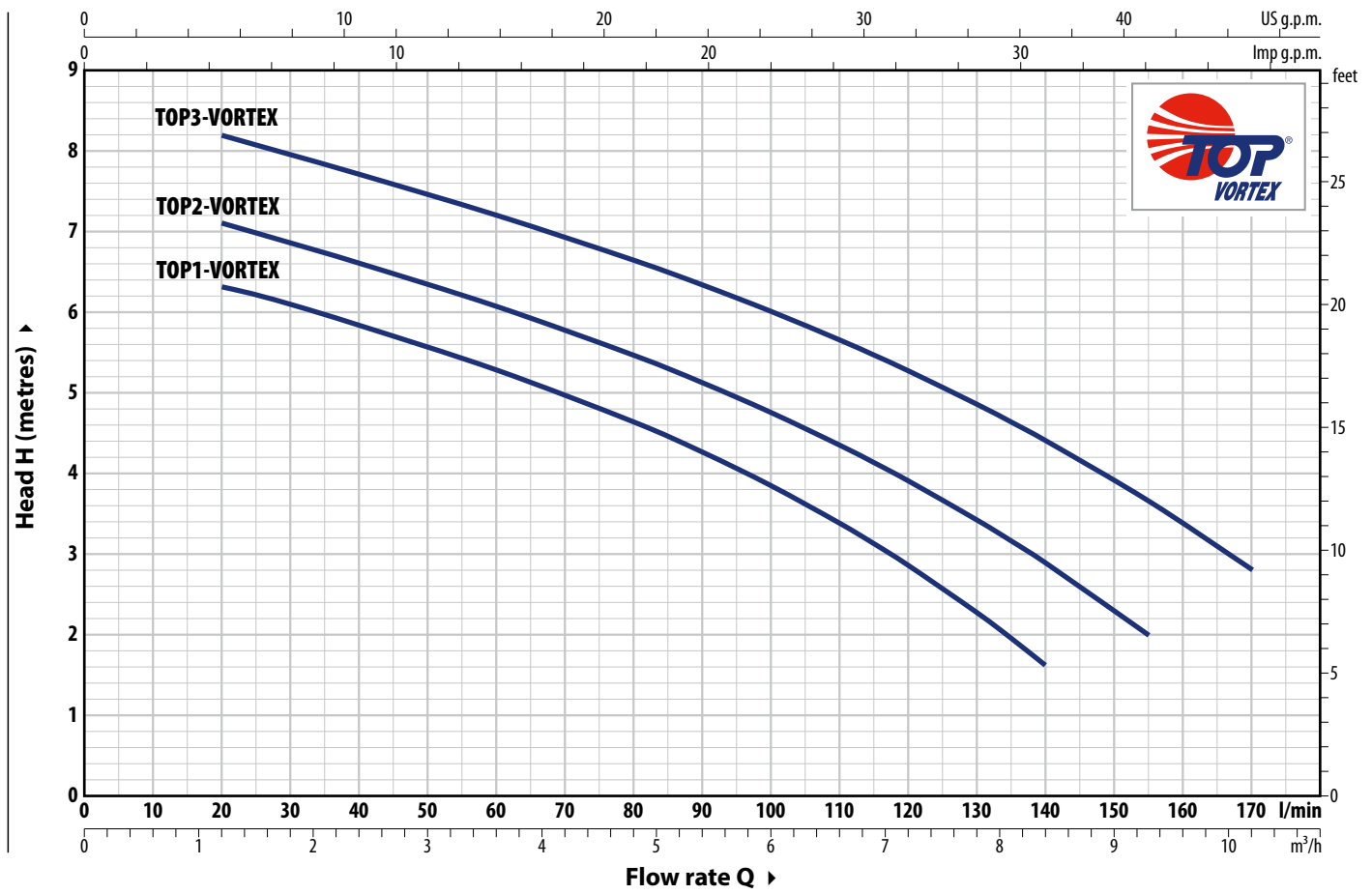
- ※ Mechanical seal options available
- ※ Pumps with **10 m** power cable
- ※ Different voltage requirements 60 Hz frequency
- ※ **TOP-VORTEX/GM** " pumps with magnetic float operation (suitable for small sumps)



※ **TOP-VORTEX/GM**

CURVES AND PERFORMANCE DATA

50 Hz



TYPE Single-phase	POWER (P ₂)		Q	0	1.2	2.4	3.6	4.8	6.0	7.2	8.4	9.3	10.2
	kW	HP		0	20	40	60	80	100	120	140	155	170
TOP 1 - VORTEX	0.25	0.33	H metres	7	6.3	5.8	5.3	4.6	3.8	2.8	1.6		
TOP 2 - VORTEX	0.37	0.50		7.6	7	6.6	6	5.5	4.8	4	3	2	
TOP 3 - VORTEX	0.55	0.75		8.7	8.2	7.7	7.2	6.7	6	5.3	4.4	3.7	2.8

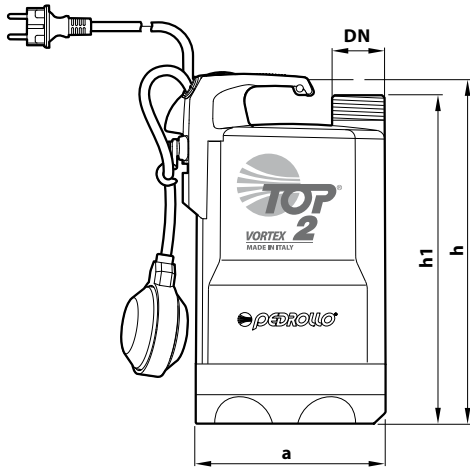
Q = Flow rate H = Total manometric head

Performance curves comply with EN ISO 9906 Grade 3B tolerance limits.

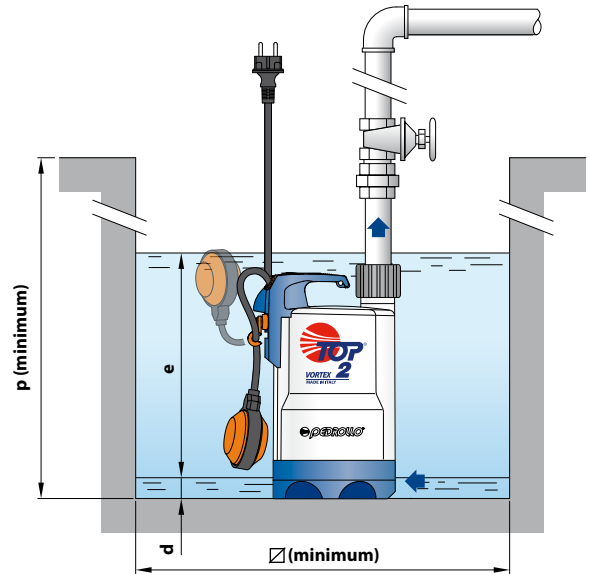
ABSORPTION

TYPE Single-phase	VOLTAGE 230 V
TOP 1 - VORTEX	1.5 A
TOP 2 - VORTEX	2.0 A
TOP 3 - VORTEX	2.9 A

DIMENSIONS AND WEIGHT

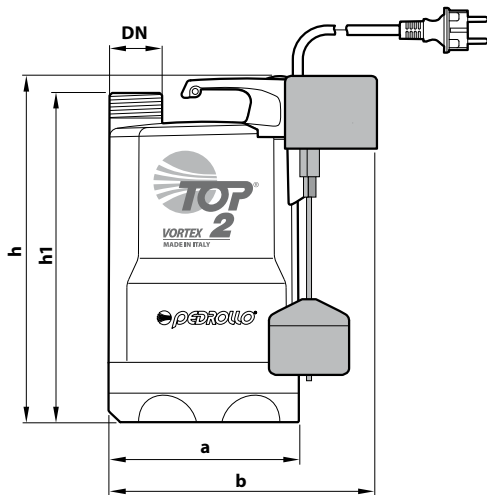


Typical installation

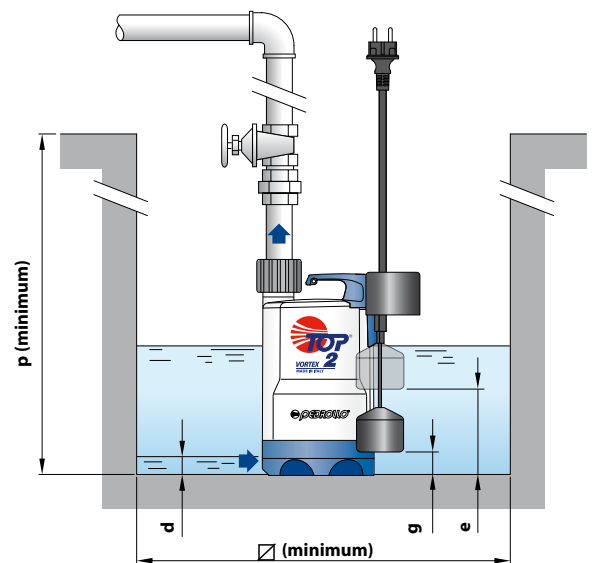


TYPE	PORT DN	DIMENSIONS mm							kg
		a	h	h1	d	e	p	Ø	
Single-phase									
TOP 1 - VORTEX	1 1/4"	152	288	268	25	adjustable	350	350	5.4
TOP 2 - VORTEX			318	298					5.4
TOP 3 - VORTEX									6.8

※ Version with 'GM' magnetic float switch



Typical installation



TYPE	PORT DN	DIMENSIONS mm									kg
		a	b	h	h1	d	e	g (adjustable)	p	Ø	
Single-phase											
TOP 1 - VORTEX/GM	1 1/4"	152	200	288	268	25	170	40	350	220	5.5
TOP 2 - VORTEX/GM				318	298						5.5
TOP 3 - VORTEX/GM											65

PALLET CAPACITY

TYPE	NO. OF PUMPS
Single-phase	
TOP 1 - VORTEX	96
TOP 2 - VORTEX	96
TOP 3 - VORTEX	96

MATERIALS AND COMPONENTS

1 Pump body	Technopolymer	
2 Suction filter	Technopolymer	
3 Suction cover	Technopolymer	
4 Diffuser	Technopolymer	
5 Impeller	VORTEX technopolymer type	
6 Motor sleeve	Stainless steel AISI 304	
7 Motor cover	Stainless steel AISI 304	
8 Motor shaft	Stainless steel AISI 431	
9 Double shaft seal with interposed oil chamber		
Seal	Shaft	Materials
STA-12R	Ø 12 mm	Ceramic / Graphite / NBR
Shaft seal	Ø 12 x Ø 19 x H 5 mm	

10 Capacitor

11 Electric motor

TOP-VORTEX: single-phase 230 V - 50 Hz with winding integrated thermal motor protection

- Continuous running duty S1
- Insulation: Class F
- Protection rating IP X8

12 Handle group

Including:

- Float switch (vertically operating float switch in GM versions)
- 5 metres power cable type 'H07 RN-F' with Schuko plug

13 Ferrule and hose nozzle

Hose connector Ø 35 mm